



US00D329126S

United States Patent [19] Hatfield

[11] Patent Number: Des. 329,126

[45] Date of Patent: ** Sep. 8, 1992

- [54] ELEMENT OF UPPER
- [75] Inventor: Tinker L. Hatfield, Portland, Oreg.
- [73] Assignee: Nike, Inc., Beaverton, Oreg.
- [**] Term: 14 Years
- [21] Appl. No.: 505,526
- [22] Filed: Apr. 6, 1990
- [52] U.S. Cl. D2/314; D2/277
- [58] Field of Search D2/264, 265, 271-277,
D2/305-314; 36/45, 71.5, 72 R, 72 B, 73, 114,
132, 136, 137

[56] **References Cited**

U.S. PATENT DOCUMENTS

D. 56,034	8/1920	Snyder	D2/277
D. 282,122	1/1986	Beck	D2/314
D. 296,381	6/1988	Selbiger	D2/314
1,442,028	1/1923	Phillips	D2/277 X
1,830,912	11/1931	Ramey	D2/277 X
1,889,734	3/1932	Stevenson	.	
3,946,505	3/1976	Dana, III	.	

OTHER PUBLICATIONS

- VT-X, p. 84, Nike Spring 1989 Catalog.
- Air Pegasus '89, p. 132, Nike Spring 1989 Catalog.
- Nike CC-X, p. 128, Nike Fall 1988 Catalog.
- Baby CC-X, p. 140, Nike Fall 1988 Catalog.

Primary Examiner—Louis S. Zarfes

[57] **CLAIM**

The ornamental design for an element of upper, as shown and described.

DESCRIPTION

FIG. 1 is a side elevational view of one side of an element of upper showing one embodiment my new design;

FIG. 2 is a side elevational view of the other side of the element of upper as shown in FIG. 1;

FIG. 3 is a rear elevational view of the element of upper as shown in FIG. 1;

FIG. 4 is a top plan view of the element of upper as shown in FIG. 1;

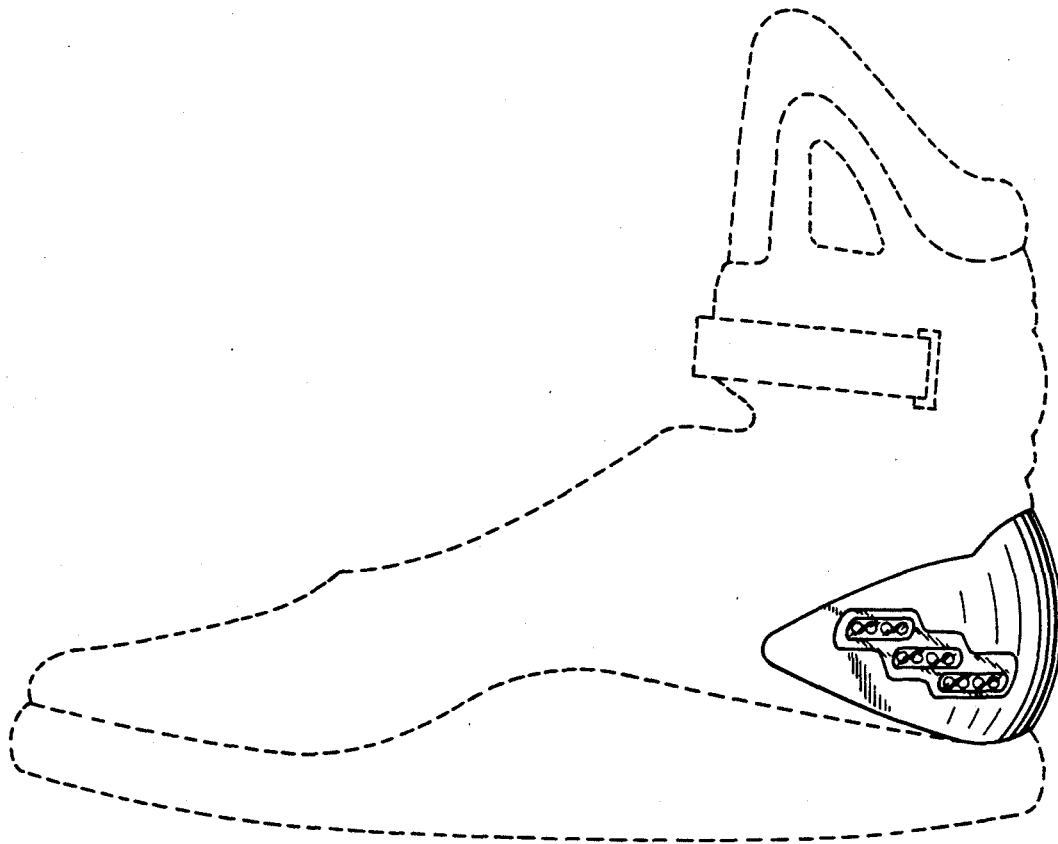
FIG. 5 is a side elevational view of one side of an element of upper showing another embodiment of my new design;

FIG. 6 is a side elevational view of the other side of the element of upper as shown in FIG. 5;

FIG. 7 is a rear elevational view of the element of upper as shown in FIG. 5; and,

FIG. 8 is a top plan view of the element of upper as shown in FIG. 5.

The broken line showing of a shoe in FIGS. 1-8 is for illustrative purposes only and forms no part of the claimed design.



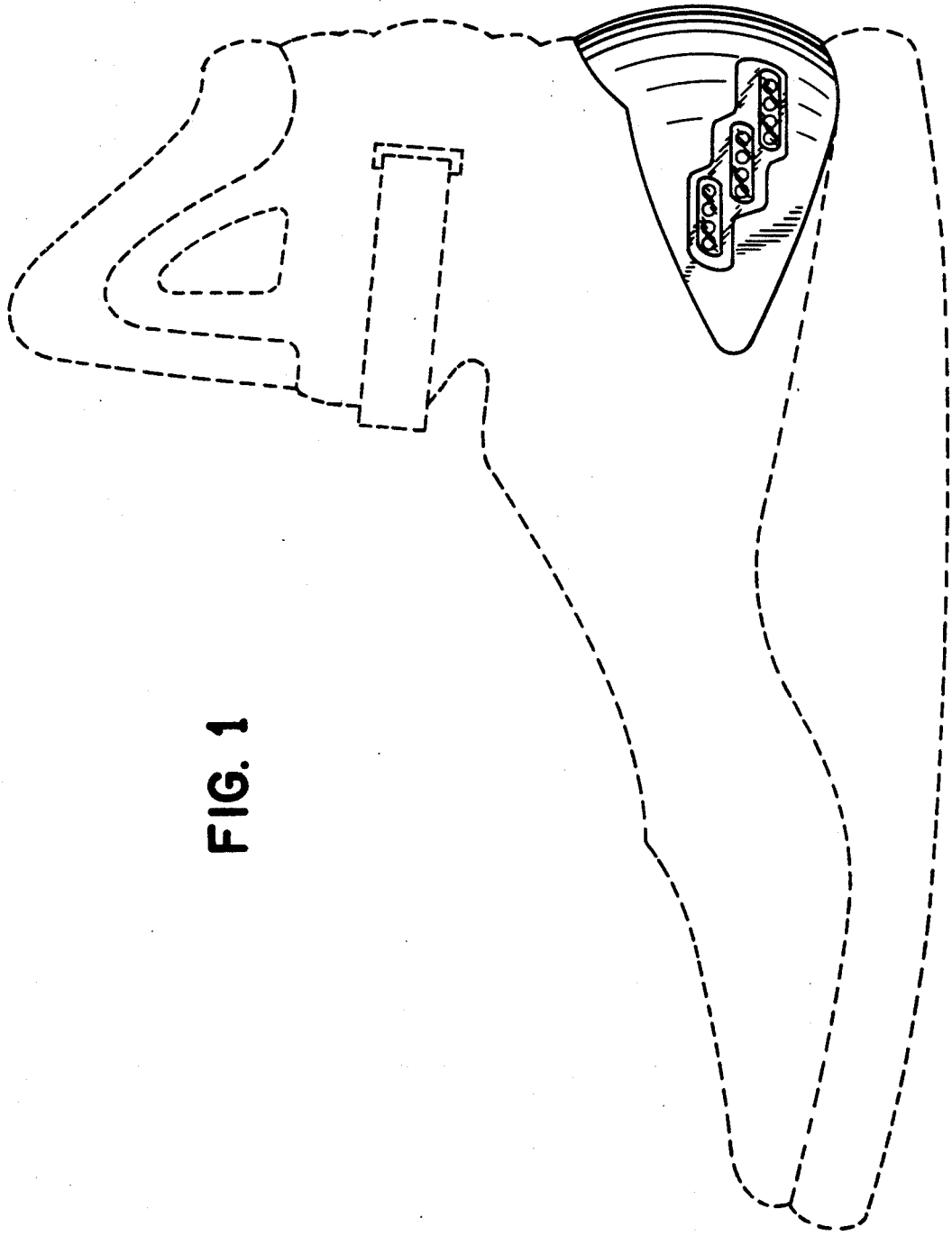


FIG. 1

FIG. 2

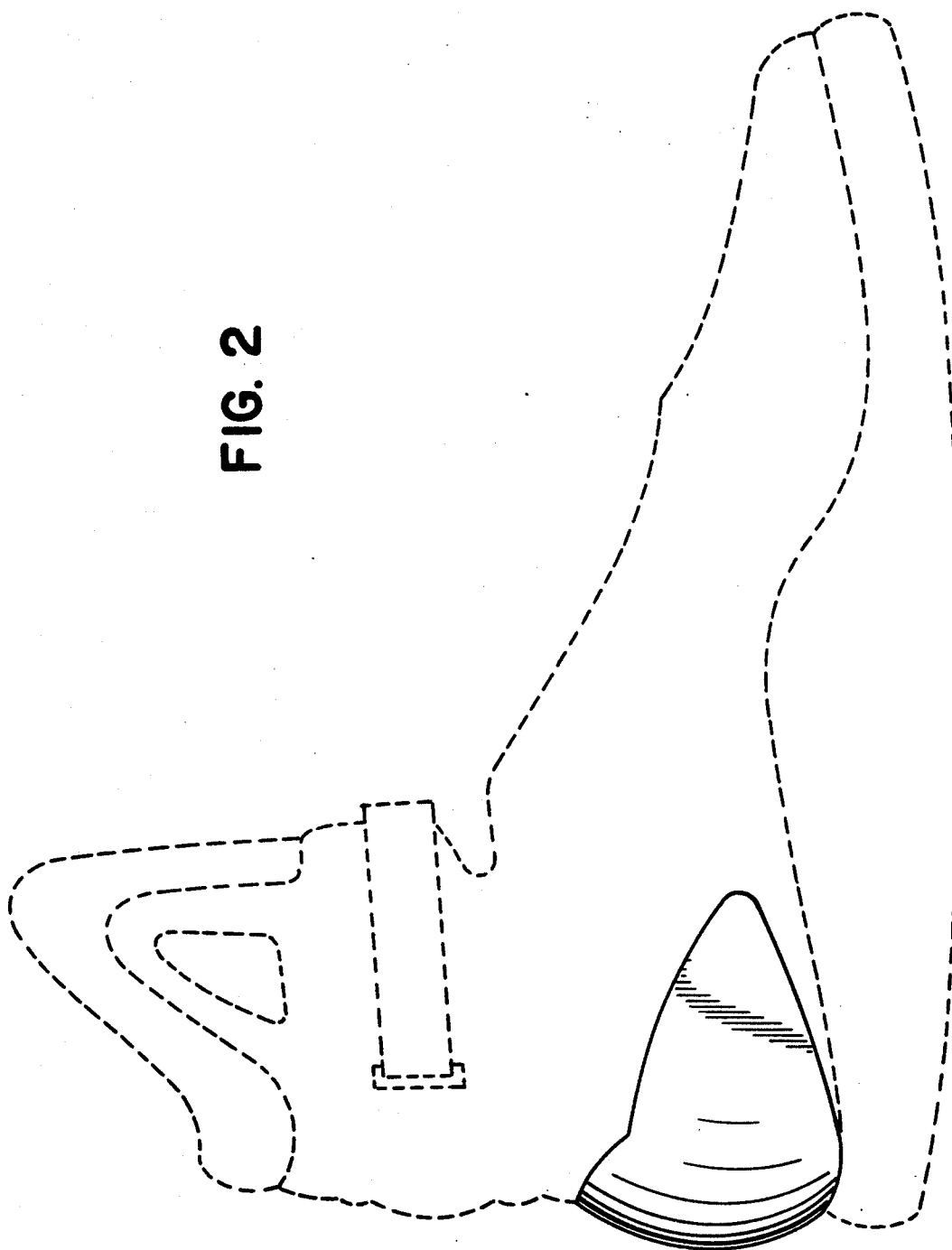


FIG. 3

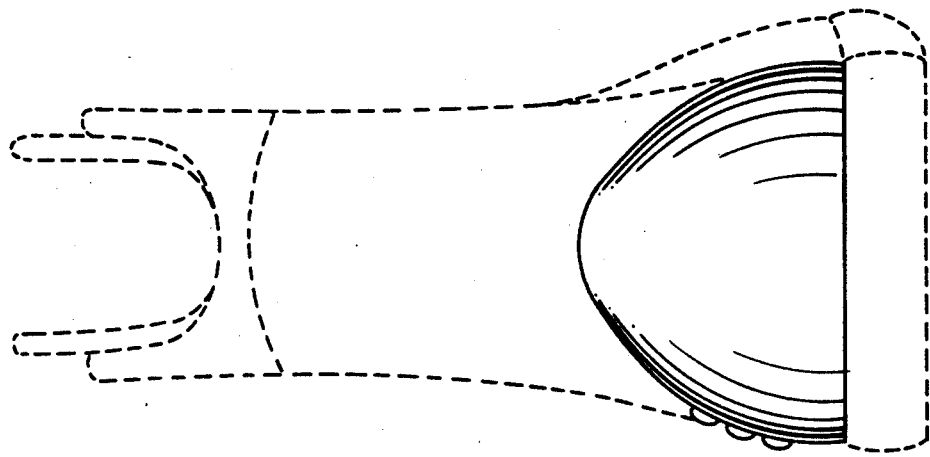
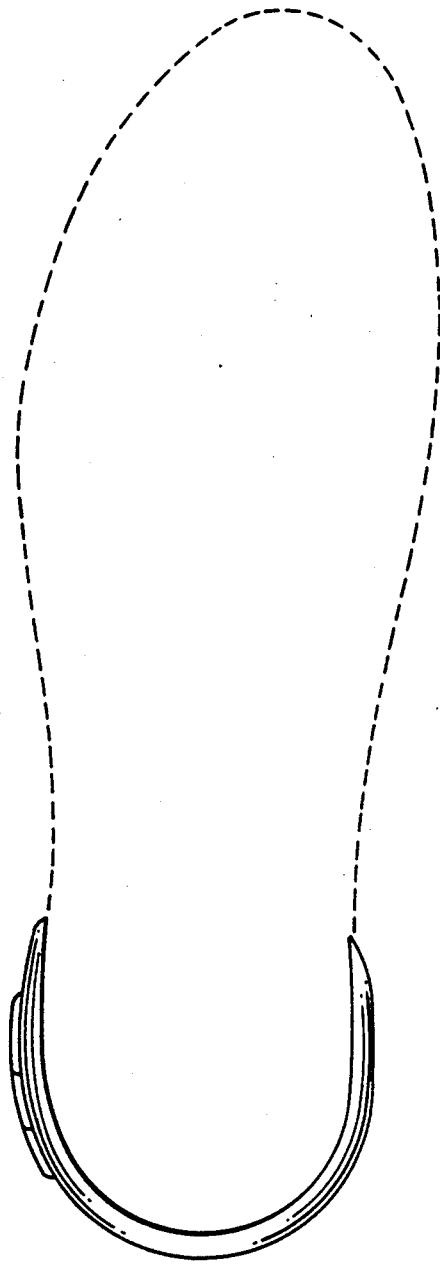


FIG. 4



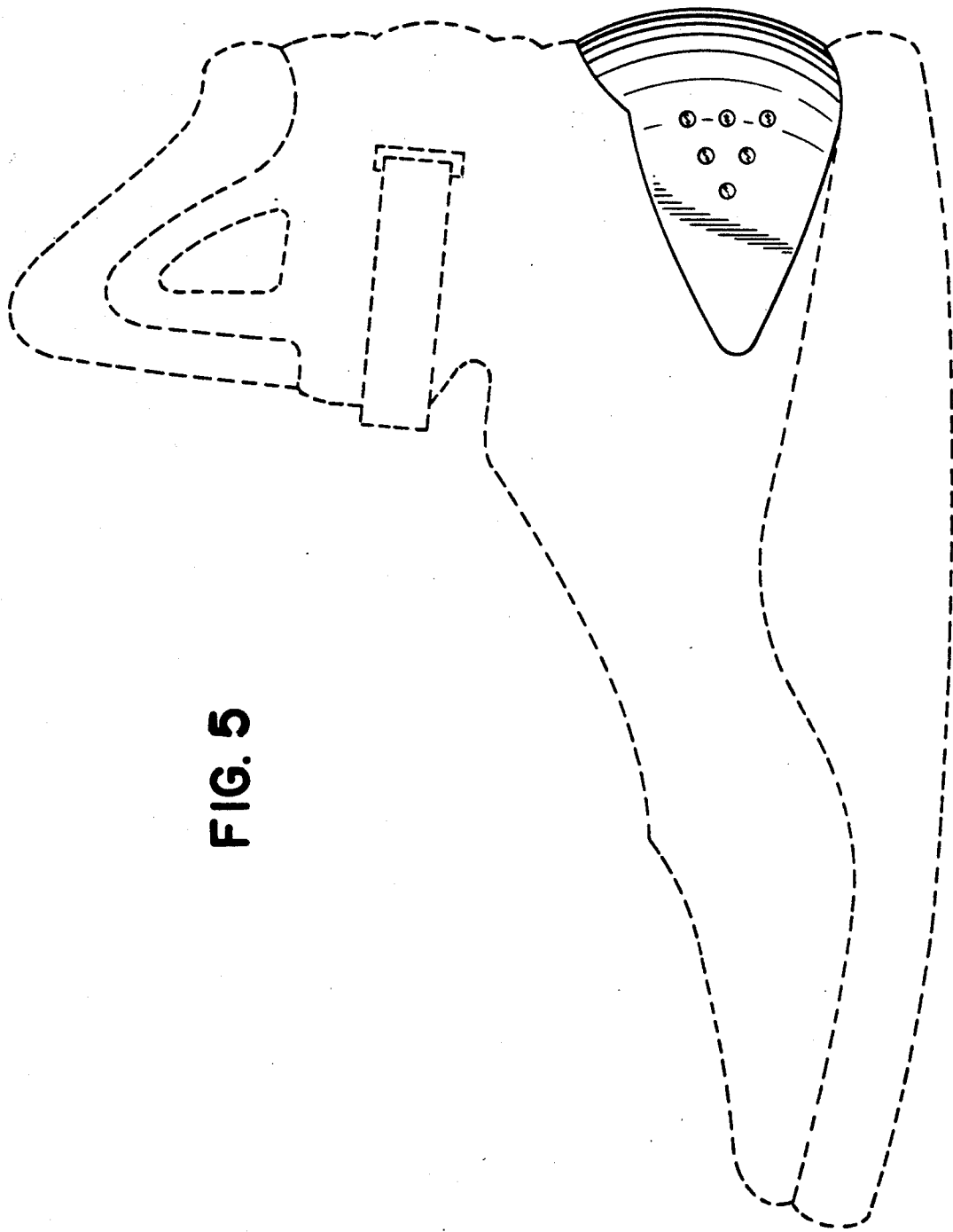


FIG. 5

FIG. 6

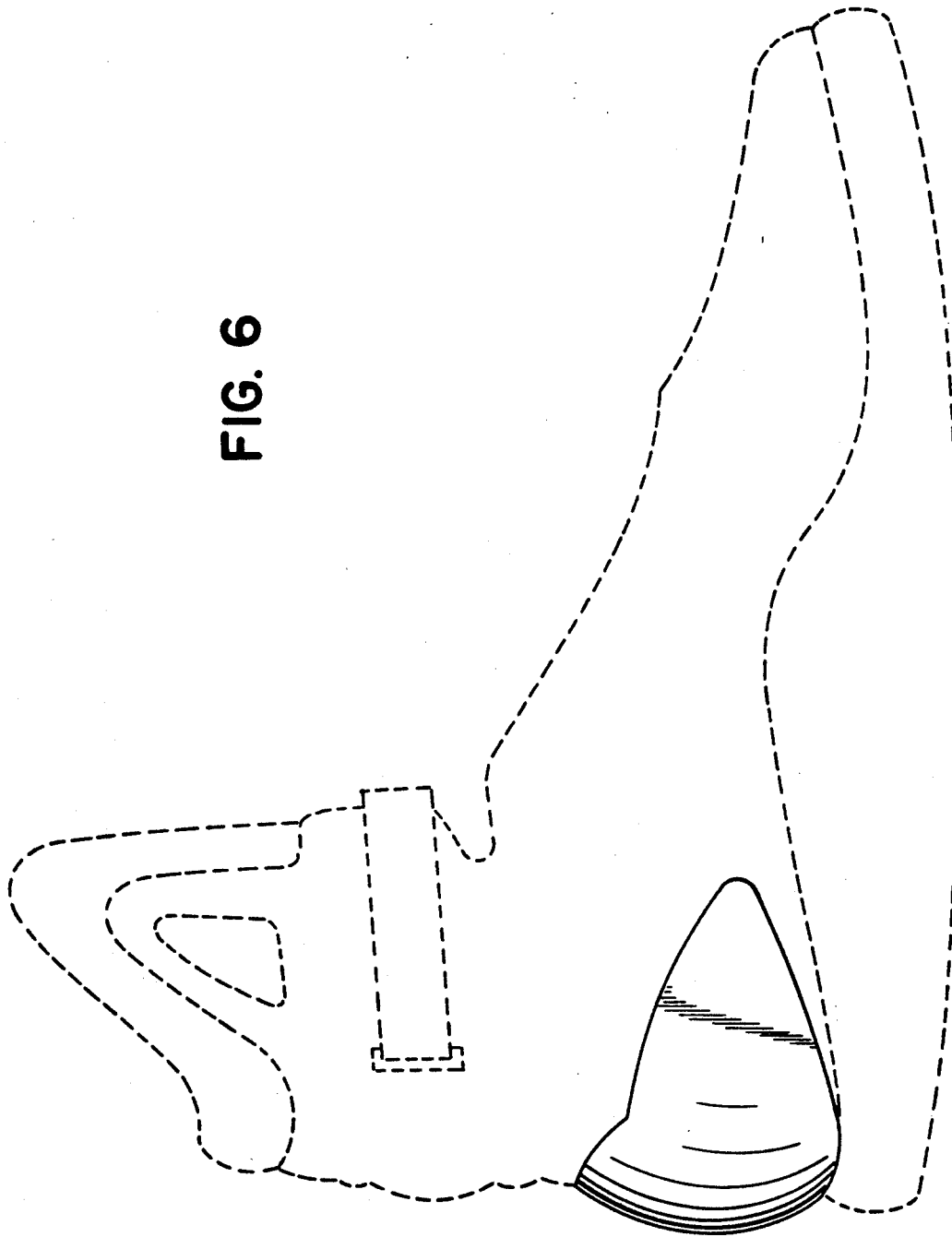


FIG. 7

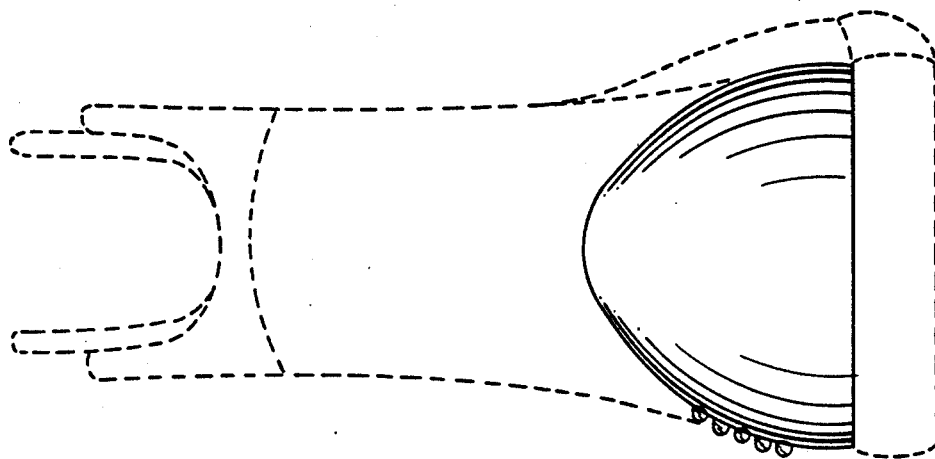


FIG. 8

